

Technical Data Sheet

Solidcore skirting **FN SWING-X080** (XH080)



Solidcore skirting **FN SWING-X080** (XH080)

Description **FN SWING-X080** (XH080)

Basic material Medium Density Fibreboard (MDF) covered with Polypropylen, elastic sealing-edges from TPE

Surface Polypropylen Coating

Colors Different uni colors to choose from or digitally printed decors

Function Clean and fluent transition to wall and floor
Hiding all hardwood floor joints

Material characteristic Durable combination of MDF and PP makes the skirting board resistant for any impacts, moisture or cleaning products.

Elastic sealing-edges from TPE (Thermoplastic Elastomere) closing gaps at wall and floor.

Smooth surface supporting cleaning and caring.

Ground-adjusting sealing-edges preventing the penetrating from moisture and protects from dirt.

Free from Halogens, Chlorides, Plasticizer, Silicones.

Technical Data Sheet

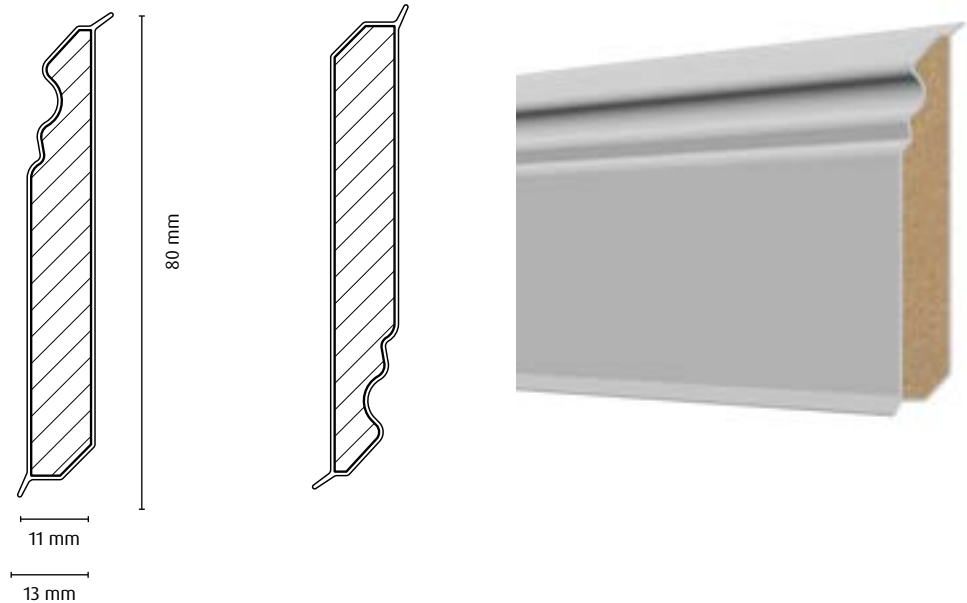
Solidcore skirting **FN SWING-X080** (XH080)



Solidcore skirting **FN SWING-X080** (XH080)

Dimensions 80mm x 13mm x 2400mm

Technical Drawing



Package 1 PU (Package Unit) FN SWING-X080 (XH080) = 8 pcs x 2,4 mtrs.
 Products are packed in sturdy cardboard, securely sealed with adhesive tape and labelled with paper badges that clearly indicate the product name and the packaging unit (PU).

Protective foil The surfaces of the uni-colored solidcore skirtings are covered with a transparent, removable protective foil.

Product labeling Each item is labeled with the product name, dimensions, color code, EAN code, and the distributor's address.

Gross Weight 1,43kg

Logistic Data

	Package Unit (PU)	Pallet size
Quantity [pcs]	8	384
Weight [kg]	11,5	570
Dimensions [mm] (h x w x l)	90 x 100 x 2420	770 x 730 x 2430

Tariff code 4411 14 95

Storage Skirting boards should be stored flat on a straight surface, in a dry place, and protected from weather conditions. Before installation, ensure that the boards have been stored at the place where they will be installed for at least 48 hours. This allows the plastic and the MDF solidcore to acclimate to the ambient conditions (humidity, temperature) and prevents any problems with material stress or deformation after installation.

Technical Data Sheet

Solidcore skirting **FN SWING-X080** (XH080)



Solidcore skirting **FN SWING-X080** (XH080)

Certificates



www.blauer-engel.de/uz176



Check Wall surface

Before starting the wall surface must be checked to ensure that is suitable for the chosen fastening method. For materials containing plasticizers, the adhesive must always be tested for compatibility.

Regulations

For the installation of this product, the applicable national standards, guidelines, and regulations, as well as technical references and recognized industry practices, must be observed. In particular, the following standards apply:

- DIN 18365 „Assessment and preparation of substrates for floor covering and parquet work“
- DIN 18560 „Screeds in construction“
- DIN 18202 „Specification of tolerances for buildings and structural components“
- VOB/C „General technical contract conditions for construction work“

Before installing the skirting boards, the following technical parameters should be checked:

Check Wall Surface

The surface must be free of contaminants such as oil, wax, paint, plaster, adhesive residue, or other substances that impair adhesion. Mechanical cleaning such as sanding or grinding is often necessary.

Check Wall Resistance

Surface must prove mechanical strength.

Check Wall Sustainability

Loose or unsolid layers must be removed.

Check Cracks/Joints

Cracks must be frictional-locked permanently. Don't cover Expansion joints - they must be preserved.

Check Expansion Strips

Must be present on all adjoining floor fragments

Check Climate Conditions

Air Temperature	Floor Temperature	Relative Humidity
18-26 °C	15-22 °C	40-65 %

Check Levelness

Based on our extensive experience with skirting board installation, we recommend a flatness tolerance of less than 2 mm per meter, which is stricter than the deviations specified in DIN 18202. This ensures optimal installation quality and long-term customer satisfaction.

Check Moisture

Background need to be dry. The following guideline values according to DIN 18560-1 „Screeds in Building Construction“ should not be exceeded:

Cement Screed (CT)		Anhydrit Screed (CA)	
heated	unheated	heated	unheated
< 1,8 CM %	< 2,0 CM %	< 0,3 CM %	< 0,5 CM %

Technical Data Sheet

Solidcore skirting **FN SWING-X080** (XH080)



Solidcore skirting **FN SWING-X080** (XH080)

Installation	For quick, clean, and durable installation of the skirting boards, we recommend using the hot melt adhesive system with the FN Neuhofer Glue Applicator. This system ensures secure adhesion and allows efficient processing without long drying times.
Neuhofer Notching Tool	Inside/Outside Corners without any additional parts Easy processing inside/outside corners with skirting boards works without any additional forming elements – only the FN Neuhofer Notching Tool is required. This specially developed tool enables the absolute precise inside/outside corners and end caps in a time-saving and efficient method. Especially the closed surface of the outside corner during the work-process protects the profile core from moisture penetration.
Cleaning & Caring	For just slightly dirt you can wipe off easily with a cleaning cloth. When its deeply polluted use a customary cleaner, following the manufacturer's dosage instructions.
Non-use	Don't use any cleaning products that contains abrasive, acidic, or bleaching components or abrasive sponges. Avoid cleaning with scouring household sponges, as they may cause scratches.
Disposal	Waste Categorie: 20 01 39 recyclable Plastics 15 01 01 Paper and Cardboard Package Separate collection Recyclable Plastics in Yellow Bag / Yellow Bin Clean Paperbag or Cardboard Package in Blue Bin or Recycling Container
Regulations	Compliance with the Waste Management Act (AWG 2002) Incineration/Disposal - only after permission from the waste disposal company and the responsible authority.
Order Instructions	It is recommended that, within a customer project to use packaging units from a single delivery to avoid color variations.
Guarantee and Warranty	<p>The client is obligated, under penalty of the contractor's release from liability, to notify the contractor in writing and with sufficient documentation of all claims, including but not limited to claims for defects and claims for damages, insofar as they are not excluded by the following provisions, without undue delay and at the latest within 14 days, regardless of whether the client has accepted the goods subject to reservation of rights, and to give the contractor or a third party commissioned by him the opportunity to inspect the goods in question and to submit a written report.</p> <p>The supplier provides a 3-month warranty for the flawless workmanship and functionality of the goods. The warranty period begins on the date of acceptance or delivery. During this period, the supplier will rectify any defects attributable to poor materials, faulty workmanship, or defective design free of charge.</p> <p>The warranty and liability under the aforementioned conditions are void if the delivered goods are altered, processed, or improperly handled.</p>

Technical Data Sheet

Solidcore skirting **FN SWING-X080** (XH080)



Solidcore skirting **FN SWING-X080** (XH080)

The contractor is liable only within the scope of mandatory law. Liability for consequential damages is entirely excluded. Should the contractor be held liable by a third party, the client shall indemnify and hold the contractor harmless to the extent that the contractor is not liable under this provision.

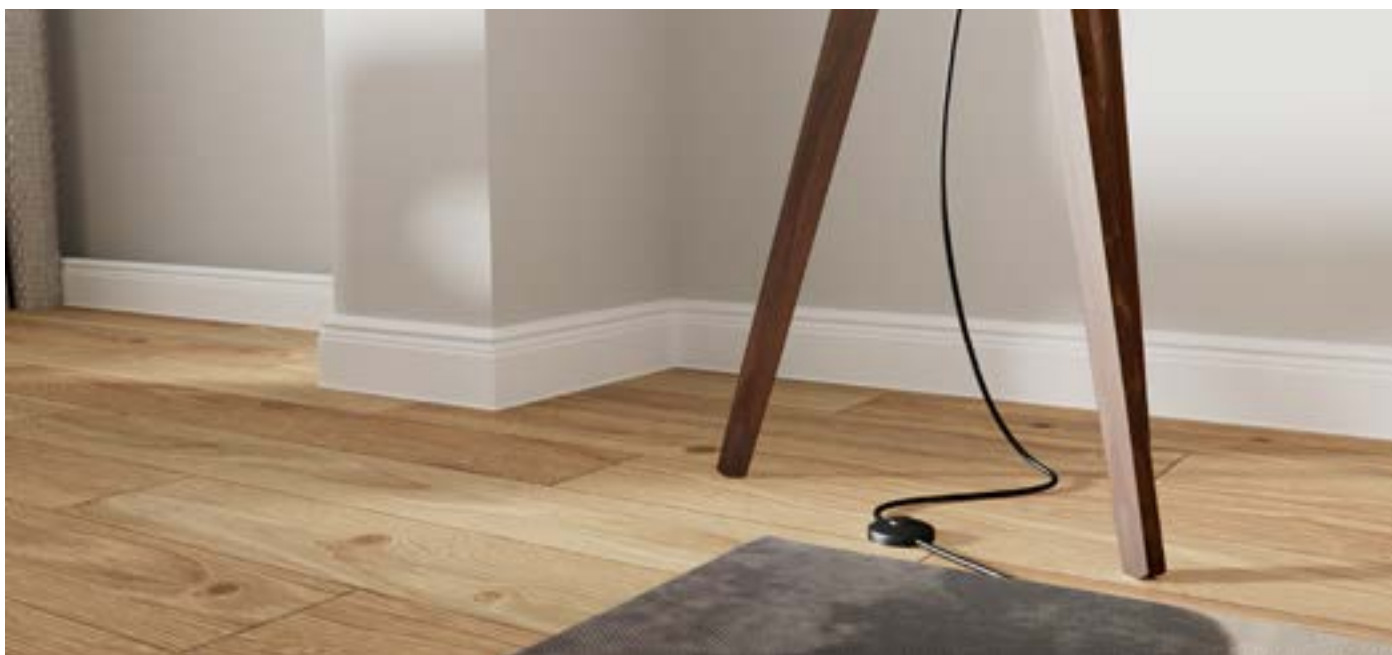
In the event of transport damage, the client must request the assessment and documentation of the damage from the responsible carrier immediately upon delivery or acceptance (notation on the delivery note and shipping document). The deadline for reporting transport damage not externally visible to the carrier and, in the case of postal shipments, is four days after receipt of the shipment. Missing items must be reported to the carrier immediately and before acceptance.

User Recommendation

Our user instructions are based on practical experience and are provided to help the user to achieve best results and customer satisfaction, but are considered non-binding advice from which no claims can be derived.

General Terms and Conditions

The General Terms and Conditions published on the FN website shall apply



Technical Data Sheet

Solidcore skirting **FN SWING-X080** (XH080)



Solidcore skirting **FN SWING-X080** (XH080)

Colors

	Color description	Color number	Similar RAL	FN Article number
1	traffic white	FB001	RAL 9016	559155
2	pure white	FB002	RAL 9010	559221
3	signal white	FB003	RAL 9003	559217
4	anthrazite	FB009	RAL 7016	559219
5	black	FB010	RAL 9004	559220
6	cashmere	FB013		559218



STRONG SURFACE



FN DIGIPRINT